



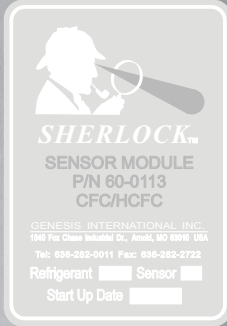
# GENESIS INTERNATIONAL, INC.

## SHERLOCK™

### SOLID-STATE SENSOR NEMA 3R



SHERLOCK NEMA 3R CMOS SENSOR



#### GENERAL

SHERLOCK CERAMIC METAL OXIDE SEMICONDUCTOR (CMOS) REFRIGERANT GAS SENSOR was designed to detect the presence of a refrigerant gas within an enclosed space. The sensor is mounted within the space to be monitored and connected by cable to the monitoring device. Each sensor is calibrated to a clean air base zero level at the factory prior to shipment. There are two models of the CMOS sensor, one for CFC/HCFC and HFC gases and one for Ammonia. The CMOS Sensor should be utilized as a signal source for a **SHERLOCK** Refrigerant Gas Monitoring System, *Wizard* Evaporator Control or **Walk-In** Monitor & Control.

**\*\* Please Note: Sensor Part Numbers Have Changed for Several Refrigerants, See the Sensor List on the 2nd Page \*\***

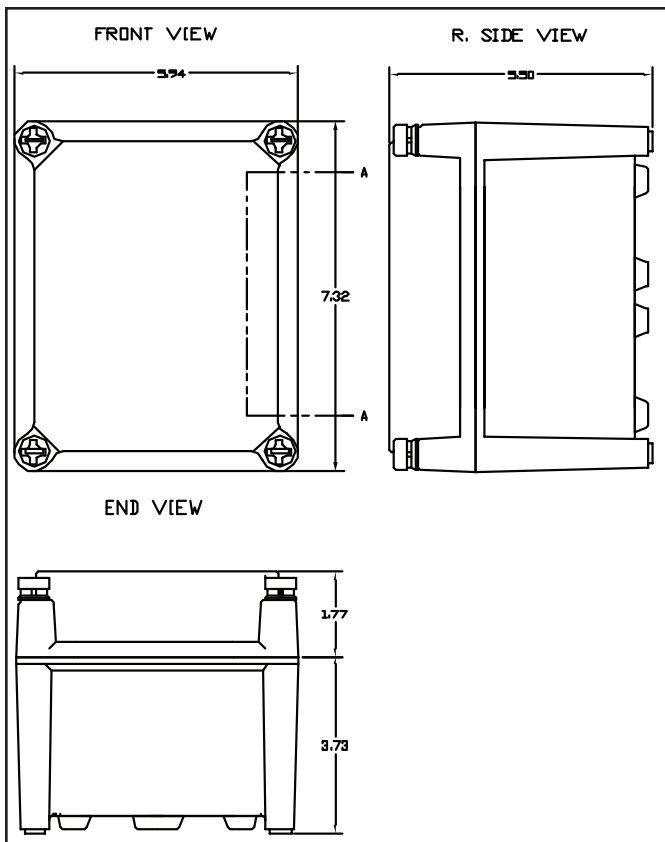
#### APPLICATIONS

Typical applications include:

- Refrigerated Rooms
- Wineries
- Bakeries
- HVAC Chiller Equipment Rooms
- Refrigeration Mechanical Rooms
- Food Processing Plants

#### SPECIFICATIONS

<b>ENCLOSURE RATING</b>	NEMA 3R
<b>DIMENSIONS</b>	7.32 x 5.94 x 6.54
Inches (mm)	(186 x 151 x 166)
<b>POWER INPUT</b>	12VDC, 250 mAmps
<b>OUTPUT</b>	0.5 to 5 VDC
<b>EFFECTIVE RANGE</b>	20 to 1000 ppm Control and Refrigerant Gas Type Dependent
<b>ACCURACY</b>	±10% to 50% of reading (Gas Dependent, Could be higher for some newer blends)
<b>REPEATABILITY</b>	±10% when proper calibration and Maintenance is followed.
<b>AVAILABLE SENSORS</b>	CFC/HCFC, HFC & Ammonia
<b>OPERATING ENVIRONMENT</b>	
<b>TEMPERATURE</b>	-25 to 120° F
<b>HUMIDITY</b>	0 TO 85% RH Non-Condensing
<b>CALIBRATION</b>	Every 6 Months
<b>WARM-UP TIME</b>	Reading will stabilize after 3 hours
<b>LIFE EXPECTANCY</b>	Average of 3 to 5 years in normal environments



NEMA 3R DIMENSIONS

### CMOS SENSOR SELECTION CHART\*

#### Model 60-0128 NEMA 3R -- CFC/HCFC/HFC gases

R-22	R-405A(G2015)	R-503
R-123	R-406A(CHG)	R-507A(AZ50)
R-125	R-407A(Klea60)	R-508A(Klea5R3)
R-134A	R-407B(Klea61)	R-508B(SUVA95)
R-143A	R-407C(Klea66)	R-509A(TP5R2)
R-152A	R-407D	R-411A(G2108A)
R-400	R-408A(FX10)	R-411B(G2108B)
R-401A(MP39)	R-409A(FX56)	R-412A(TP5R)
R-401B(MP66)	R-410A(AZ20)	R-413A
R-401C(MP62)	R-410B	R-438A(MO99)
R-402A(HP80)	R-411A(G2018A)	R-503
R-402B(HP81)	R-411B(G2018B)	R-507(AZ50)
R-403A(ISCEON 69-S)	R-412A(TP5R)	R-508A(Klea5R3)
R-403B(ISCEON 69-L)	R-413A (ISCEON 49)	R-508B(SUVA95)
R-404A(HP62)	R-438A(MO99)	R-509A(TP5R2)

#### THE BELOW SENSORS WILL HAVE LIMITED DETECTABILITY USING THE 60-0128 CMOS

R-11	R-32	R-500(AZ50)
R-12	R-113	R-502
R-13	R-124	
R-23	R-142B	

#### Model 60-0129 NEMA 3R -- Ammonia

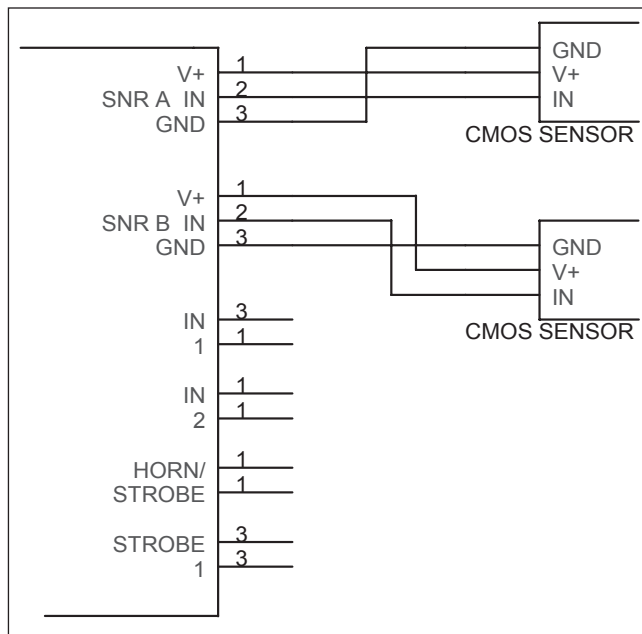
R-717

\* Please Note: Sensor Part Numbers Have Changed for Several Refrigerants

**NOTE:** These sensors, due to their nature, are susceptible to detection of non-refrigerant gases and cannot distinguish the presence of different refrigerant gases, only that there is a gas present. The CMOS sensor will detect concentrations of gasoline, diesel, and propane exhaust and fumes from solvents, paints, cleansers, and others (Please call Genesis Customer Support for more information.) The stated accuracy is a best case and some refrigerant blends can be off as much as 50 to 100% of the Sherlock Control ppm reading.

**NOTE:** The stated average life expectancy for this sensor is 3 to 5 years, however, continued exposure to refrigerants and other gases and humidity and other adverse conditions can severely decrease sensor life.

### TYPICAL WIRING DIAGRAM



CMOS SENSOR MOUNTED IN HOUSING



# GENESIS INTERNATIONAL, INC.

1040 FOX CHASE INDUSTRIAL DRIVE  
ARNOLD, MISSOURI 63010

WEBSITE:  
WWW.GENESIS-INTERNATIONAL.COM

PHONE: (636) 282-0011  
FAX: (636) 282-2722

EMAIL:  
MAIL@GENESIS-INTERNATIONAL.COM