

GENESIS INTERNATIONAL, INC.

WALK-IN DUAL ZONE DEFROST CONTROL & ALARMING SYSTEM NEMA 4X (WIC2-4)



WALK-IN CONTROL (WIC2-4)
Part Number 88-0581

The Wizard Dual Zone (WIC2-4) Cooler Control System NEMA 4X was designed to incorporate most of the control functions necessary to monitor and control the evaporators of a walk-in cooler and freezer of a supermarket, convenience store or restaurant into a compact, simple to install package. The WIC2-4 utilizes the latest microprocessor technology with two row 16 character LCD back-lighted display. Plain English menu driven user interface is easy to understand and manipulate. It is equipped with a real time clock with a 5 day power loss backup. The control has as standard, an onboard 95db buzzer and a red light that will notify of an alarm. The unit is standard with 8 SPDT relays. A single control can replace the following items for Two complete Walk-In units:

Temperature Monitoring, Controlling & Alarming
Door Opening Alarm
Defrost Controller

Model#	Nema/IP Rating	Size Inches(mm)	Electrical Category	Pollution Protection
WIC2-4	4X	12.3 x 15 x 8.2 IP67 (312 x 381 x 208)	II	2

POWER 25 - 250V AC, 50/60Hz, 1.0 Amp

OPERATING TEMPERATURE 45°F - 99°F

OPERATING HUMIDITY 30 - 90% RH, non-condensing

DISPLAY 2 lines by 16 characters, alphanumeric LCD with back light, Alarm Indication Light indicates active alarm

KEYPAD 5 tactile key switches
Scroll up, Scroll down, Select/Change, Exit, Alarm Silence/Clear

INPUTS Two (2) of Each:
Thermistor Temperature Sensor
Door Ajar Magnetic Contact Switch
Defrost Termination Switch/Sensor

Control, Fan, Defrost and Alarm Relays - These Relay Outputs are 1 Form C SPDT rated for 250 VAC and 3.15 Amp per circuit. Each relay circuit is fused with a slow blow fuse on the common leg. Outputs are screw terminal type.

CONTROL One (2) Liquid Solenoid Relay
One (2) Evaporator Fan Relay
One (2) Defrost Heater Relay

ALARMS One (2) System Alarm Relay
DoorAjar, Low & High Temperature

ALARM INDICATORS

LCD DISPLAY Cause of Alarming

BUZZER piezo-electric, 90db @10ft, silenceable

FRONT PANEL LED LIGHT Flashing red light when Control is in alarm

STROBE LIGHT (Optional) Mounted on top of the housing, activates during any alarm condition.

LISTINGS ETL, Conforms to UL Std. 3111-1
Certified to CAN/CSA
C22.2 Std. No. 1010.1



WIC2-4 05-02-09

Real Time Clock with power loss backup - The built-in electronic time clock is used for time-stamp of alarm logs. The clock has ninety nine year calendar for automatic day light saving change over and will maintains its settings for up to 5 days without power.

Software Access "Passcode" - The WIC2-4 is passcode protected. No operating parameters can be changed without first unlocking the Control. User passcode can be changed by supervisor.

Enclosure - The WIC2-4 comes in a NEMA 4X Enclosure. This enclosure is intended for either indoor or outdoor use, 0 to 50 °C, to provide a degree of protection against corrosion, windblown dust and rain, splashing water, and hose directed water.

Four Key Menu System - Consistent menu structure using only four keys. Operating parameters can be accessed and changed easily.

Alarm History logs - Last ten alarm logs are maintained for reviewing at any time. Each log has its own time stamp along with alarm reading.

Standard Defrost Control - The WIC2-4 controls the Defrost of the evaporator coil, runs the Pump Down Cycle and Drip Cycle and adds 2 extra relays, for defrost, liquid solenoid, Evaporator Fan and Evaporator Heater.

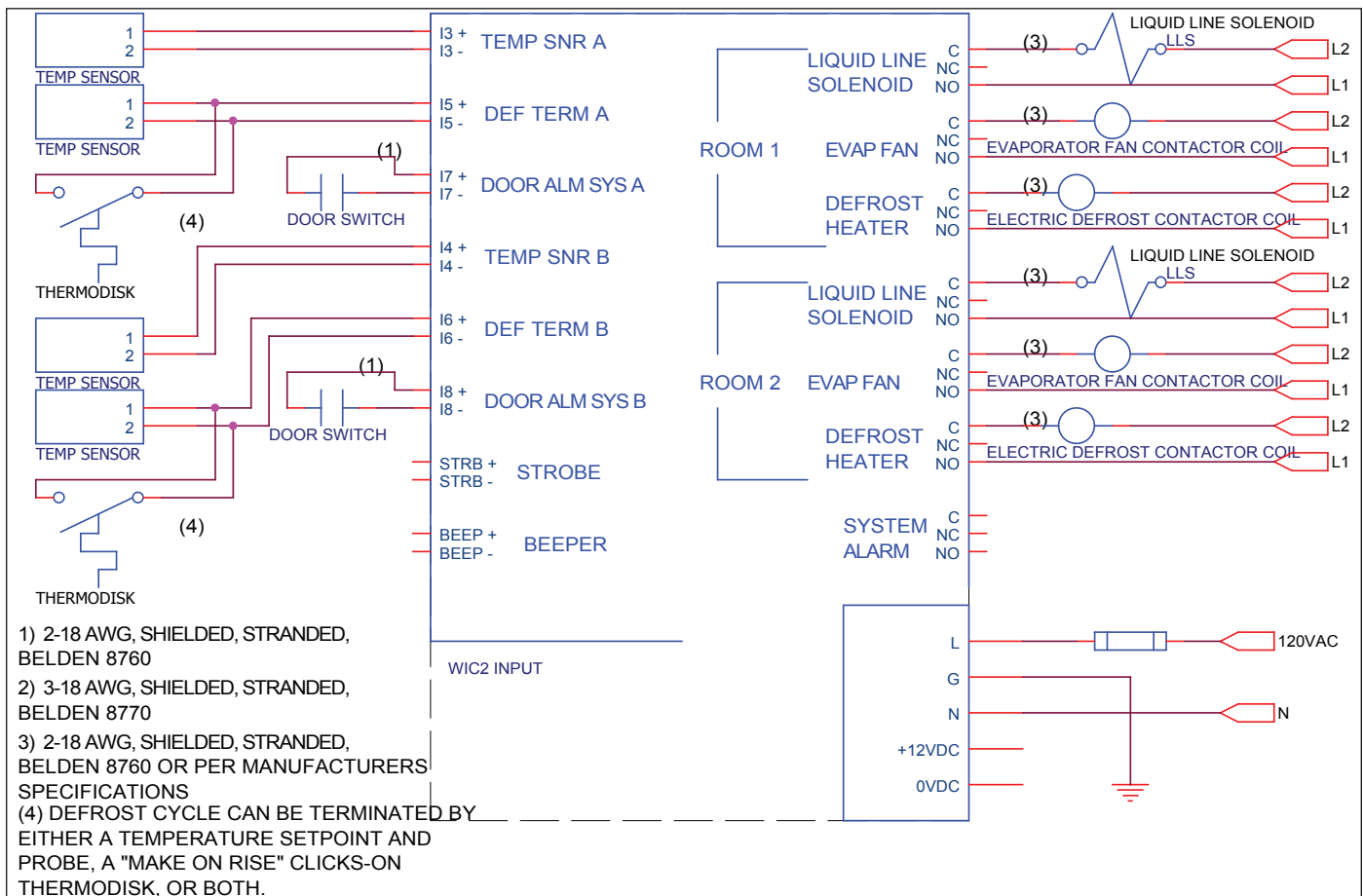
Temperature Alarming - The WIC2-4 can monitor the temperature in two separate zones (rooms). The WIC2-4 will activate its audible visual alarm and the System Alarm Relays based upon the following alarm conditions:

High Alarm . The room temperature must exceed the High Alarm Limit for a time period equal to or longer than the High Temp Alarm delay.

Low Alarm . The room temperature must be below the Low Alarm Limit for a time period equal to or longer than the Low Temp Alarm delay.

Door Ajar Alarming - The WIC2-4 will activate its System Alarm Relay if the monitored door is opened (Door Switch is closed) for more than the Door Open Alarm Delay time. When the door is opened, the display shows the duration of the door opening in hours and minutes. To monitor more than one door, connect all door switches in parallel. (Genesis #28-0117)

WIC2-4 TYPICAL WIRING DIAGRAM



GENESIS INTERNATIONAL, INC.

1040 Fox Chase Industrial Dr
 Arnold, MO 63010
 Email: mail@genesis-international.com

Tel: 636-282-0011
 Fax: 636-282-2722
 Web: www.genesis-international.com