

# GENESIS INTERNATIONAL, INC.

## WALK-IN SINGLE ZONE DEFROST CONTROL & ALARMING SYSTEM WITH 30 AMP HIGH POWER RELAYS (WIC-30)



WALK-IN CONTROL (WIC-30)

Part Number 88-0355

**The Wizard Single Zone (WIC-30) Cooler Control System with 30 Amp High Power Fan and Heater Relays** was designed to incorporate most of the control functions necessary to monitor and control the evaporators of a walk-in cooler and freezer of a supermarket, convenience store or restaurant into a compact, simple to install package. The WIC-30 utilizes the latest microprocessor technology with two row 16 character LCD back-lighted display. Plain English menu driven user interface is easy to understand and manipulate. It is equipped with a real time clock with a 5 day power loss backup. The control has as standard, an onboard 95db buzzer and a red light that will notify of an alarm. The unit is standard with two (2) 3.15 Amp SPDT relays and two (2) 30 Amp DPST Relays. A single Control can replace the following items for a complete Walk-In unit:

**Temperature Monitoring, Controlling & Alarming  
Door Opening Alarm  
Defrost Controller**

Model #	Nema/IP Rating	Size Inches (mm)	Electrical Category	Pollution Protection
WIC-L	1	12.25 x 8.75 x 3 (311 x 222 x 76)	II	2

- POWER** 25 - 250V AC, 50/60Hz, 1.0 Amp
- OPERATING TEMPERATURE** 45°F - 99°F
- OPERATING HUMIDITY** 30 - 90% RH, non-condensing
- DISPLAY** 2 lines by 16 characters, alphanumeric LCD with back light, Alarm Indication Light indicates active alarm
- KEYPAD** 5 tactile key switches  
Scroll up, Scroll down, Select/Change, Exit, Alarm Silence/Clear
- INPUTS** Thermistor Temperature Sensor  
Door Ajar Magnetic Contact Switch  
Defrost Termination Switch/Sensor

**Control and Alarm Relays** - These Relay Outputs are 1 Form C SPDT rated for 250 VAC and 3.15 Amp per circuit. Each relay circuit is fused with a slow blow fuse on the common leg. Outputs are screw terminal type.

**Evaporator Fan and Defrost Heater Relays** - These Relay Outputs are 1 Form A DPST rated for 250 VAC and 30 Amp resistive load per circuit. Outputs are screw terminal type.

**CONTROL** One (1) Liquid Solenoid Relay  
One (1) Evaporator Fan Relay  
One (1) Defrost Heater Relay

**ALARMS** One (1) System Alarm Relay  
DoorAjar, Low & High Temperature

### ALARM INDICATORS

**LCD DISPLAY** Cause of Alarming

**BUZZER** piezo-electric, 90db @10ft, silenceable

**FRONT PANEL LED LIGHT** Flashing red light when Control is in alarm

**STROBE LIGHT (Optional)** Mounted on top of the housing, activates during any alarm condition.

**LISTINGS** ETL, Conforms to UL Std. 3111-1  
Certified to CAN/CSA  
C22.2 Std. No. 1010.1



**Real Time Clock with power loss backup** - The built-in electronic time clock is used for time-stamp of alarm logs. The time clock has ninety nine year calendar for automatic day light saving change over. The clock maintains its setting for up to 5 days without power.

**Software Access "Passcode"** - The WIC-30 is passcode protected. No operating parameters can be changed without unlocking the Control. User passcode can be changed by supervisor.

**Enclosure** - The WIC-30 comes in a metal, NEMA 1 enclosure suitable for mounting on the wall outside of the Walk-in Cooler.

**Four Key Menu System** - Consistent menu structure using only four keys. Operating parameters can be accessed and changed easily.

**Alarm History logs** - Last ten alarm logs are maintained for reviewing at any time. Each log has its own time stamp along with alarm reading.

**Standard Defrost Control** - The WIC-30 controls the Defrost of the evaporator coil, runs the Pump Down Cycle and Drip Cycle and One relay each for defrost, liquid solenoid, Evaporator Fan and Evaporator Heater.

**High Power Defrost Relays** - These relays are 1 Form A DPST rated for 250VAC and 30 Amp resistive load per circuit. Outputs are screw terminal type. Single Phase for Fan and Heater control.

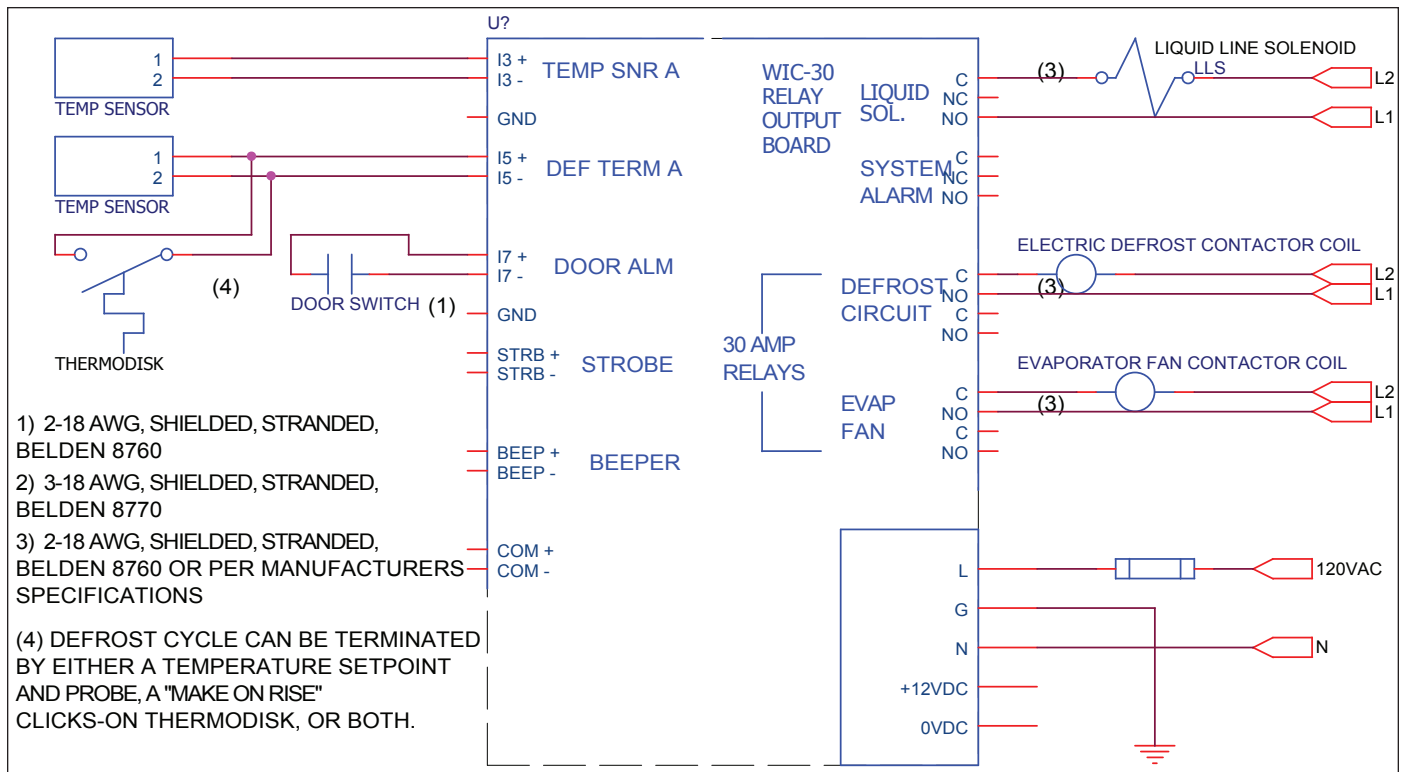
**Temperature Alarming** - The WIC-30 can monitor the temperature in a single zone (room). The WIC-30 will activate its audible visual alarm and the System Alarm Relays based upon the following alarm conditions:

**High Alarm** . The room temperature must exceed the High Alarm Limit for a time period equal to or longer than the High Temp Alarm delay.

**Low Alarm** . The room temperature must be below the Low Alarm Limit for a time period equal to or longer than the Low Temp Alarm delay.

**Door Ajar Alarming** - The WIC-30 will activate its System Alarm Relay if the monitored door is opened (Door Switch is closed) for more than the Door Open Alarm Delay time. When the door is opened, the display shows the duration of the door opening in hours and minutes. To monitor more than one door, connect all door switches in parallel. (Genesis #28-0117)

## WIC-30 TYPICAL WIRING DIAGRAM



# GENESIS INTERNATIONAL, INC.

1040 Fox Chase Industrial Dr  
 Arnold, MO 63010  
 Email: mail@genesis-international.com

Tel: 636-282-0011  
 Fax: 636-282-2722  
 Web: www.genesis-international.com