

GENESIS INTERNATIONAL, INC.

WALK-IN MONITOR DUAL ZONE COOLER ALARMING SYSTEM NEMA 4X (WIM2-4)



WALK-IN MONITOR 2 ZONE NEMA 4X
Kit Part Number 88-0404-00 with Two Room
Temperature Sensors (WIM2-4)

The Wizard Dual Zone Walk-in Cooler Monitoring System in a NEMA 4X Housing (WIM2-4) is an ETL approved monitor and was designed to incorporate most of the functions necessary to monitor the evaporators of a walk-in cooler and freezer of a super-market, convenience store or restaurant into a compact, simple to install package. The Control utilizes the latest microprocessor technology with two row 16 character LCD back-lighted display. Plain English menu driven user interface is easy to understand and manipulate. It is equipped with a real time clock and a 5 day power loss backup. The control has as standard, an onboard 95db buzzer and a red light that will notify of an alarm. The unit is standard with 2 SPDT system alarm relays (One Silence-able, One Non Silence-able System alarm). A single Wizard Walk-in Monitoring System can replace the following items for a complete 2 system Walk-In unit:

Temperature Monitoring and Alarming
Door Opening Alarm
Entrapment Alarm

<u>Model#</u>	<u>Nema/IP Rating</u>	<u>Size Inches(mm)</u>	<u>Electrical Category</u>	<u>Pollution Protection</u>
WIM2-4	4X/IP67	12.3 x 15.0 x 8.2 (312 x 381 x 208)	II	3

POWER 100 or 220 VAC, 50/60 Hz, 1.0 Amps

INPUTS Up to Two (2) of the following:
Thermistor Temperature Sensor
Door Ajar Magnetic Contact Switch
Entrapment Push button switch

OUTPUTS 2 SPDT, 1 Form C Relays, 250 VAC,
3.15 Amp fuses and spike suppressors
Optional 4-20mA Analog Signal for
Temperature Sensor(s) (WIM-AO only)

OPERATING TEMPERATURE

Monitor 45°F - 99°F
Temperature Sensor -50°F - 150°F

OPERATING HUMIDITY

30% - 90% RH, non-condensing

ALARMS System Alarms (2 relays)
Door Ajar, Entrapment
Low Temperature, High Temperature

DISPLAY 2 lines by 16 characters
Alphanumeric LCD with back light
Alarm Indication LED -- indicates active alarm

KEYPAD 5 tactile key switches
Scroll up, Scroll down, Select/Change,
Exit, Alarm Silence/Clear

ALARM INDICATORS

LCD DISPLAY Cause of Alarming
BUZZER piezo-electric, 90db @10ft,
silenceable

FRONT PANEL LED LIGHT Flashing red light
when Control is in alarm

STROBE LIGHT (Optional) Mounted on top of
the housing, activates during any alarm
condition.

LISTINGS

ETL, Conforms to UL Std. 61010-1
Certified to CAN/CSA, C22.2 Std. No. 61010-1

WARRANTY 15 Month Limited

Real Time Clock with power loss backup - The built-in electronic time clock is used for time-stamp of alarm logs. The time clock has ninety nine year calendar for automatic day light saving change over. The clock maintains its setting for up to 5 days without power.

Software Access "Passcode" - The WIM2-4 is passcode protected. No operating parameters can be changed without unlocking the Control. User passcode can be changed by supervisor.

Four Key Menu System - Consistent menu structure using only four keys. Operating parameters can be accessed and changed easily.

Alarm History logs - Last ten alarm logs are maintained for reviewing at any time. Each log has its own time stamp along with alarm reading.

NEMA 4X Enclosure - This enclosure is intended for either indoor or outdoor use, 0 to 50 °C, to provide a degree of protection against corrosion, windblown dust and rain, splashing water, and hose directed water.

Temperature Alarming - The WIM2-4 can monitor the temperature in a single zone (room). The WIM2-4 will activate its audible visual alarm and the System Alarm Relays

based upon the following alarm conditions:

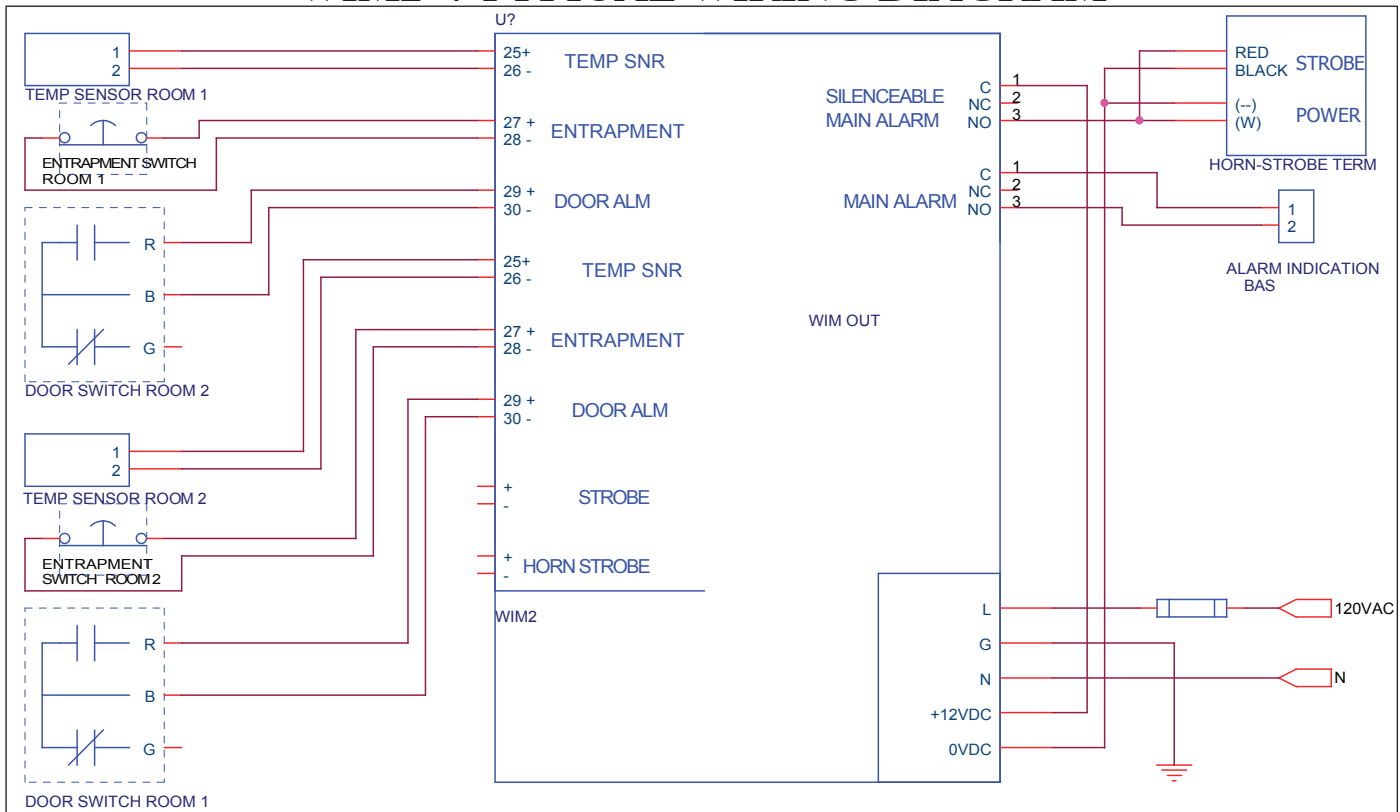
High Alarm . The room temperature must exceed the High Alarm Limit for a time period equal to or longer than the High Temp Alarm delay.

Low Alarm . The room temperature must be below the Low Alarm Limit for a time period equal to or longer than the Low Temp Alarm delay.

Door Ajar Alarming - The WIM2-4 will activate its audible visual alarm and the System Alarm Relays if the monitored door is opened (Door Switch is closed) for more than the Door Open Alarm Delay time. When the door is opened, the display shows the duration of the door opening in hours and minutes. To monitor more than one door, connect all door switches in parallel. **(Genesis #28-0117-00)**

Entrapment Alarming - The WIM2-4 will activate its audible visual alarm and the System Alarm Relays if a normally closed Entrapment Push Button is momentarily pushed to open. To monitor more than one Entrapment Push Buttons, connect all the buttons in series. This alarm is always active. To disable this alarm, short the two input connectors together with a piece of bare copper wire. **(Genesis #28-0123-00)**

WIM2-4 TYPICAL WIRING DIAGRAM



GENESIS INTERNATIONAL, INC.

1040 Fox Chase Industrial Dr
 Arnold, MO 63010
 Email: mail@genesis-international.com

Tel: 636-282-0011
 Fax: 636-282-2722
 Web: www.genesis-international.com