

# GENESIS INTERNATIONAL, INC.

## WALK-IN MONITOR DUAL ZONE COOLER ALARMING SYSTEM (WIM2)



WALK-IN MONITOR 2 ZONE (WIM2)  
Kit Part Number 88-0325-00 with Two Room  
Temperature Sensors

**The Wizard Dual Zone Walk-in Cooler Monitoring System (WIM2)** is an ETL approved monitor and was designed to incorporate most of the functions necessary to monitor the evaporators of a walk-in cooler and freezer of a supermarket, convenience store or restaurant into a compact, simple to install package. The Control utilizes the latest microprocessor technology with two row 16 character LCD back-lighted display. Plain English menu driven user interface is easy to understand and manipulate. It is equipped with a real time clock and a 5 day power loss backup. The control has as standard, an onboard 95db buzzer and a red light that will notify of an alarm. The unit is standard with 2 SPDT system alarm relays (One Silence-able, One Non Silence-able System alarm). A single Wizard Walk-in Monitoring System can replace the following items for a complete 2 system Walk-In unit:

- Temperature Monitoring and Alarming
- Door Opening Alarm
- Entrapment Alarm

Model #	Nema/IP Rating	Size Inches (mm)	Electrical Category	Pollution Protection
WIM2	1	7.25 x 8.0 x 3 (184 x 203 x 76)	II	2

- POWER** 100 or 220 VAC, 50/60 Hz, 1.0 Amps
- INPUTS** Up to Two (2) of the following:  
Thermistor Temperature Sensor  
Door Ajar Magnetic Contact Switch  
Entrapment Push button switch
- OUTPUTS** 2 SPDT, 1 Form C Relays, 250 VAC, 3.15 Amp fuses and spike suppressors  
Optional 4-20mA Analog Signal for Temperature Sensor(s) (WIM-AO only)

### OPERATING TEMPERATURE

- Monitor** 45°F - 99°F
- Temperature Sensor** -50°F - 150°F

### OPERATING HUMIDITY

30% - 90% RH, non-condensing

- ALARMS** System Alarms (2 relays)  
Door Ajar, Entrapment  
Low Temperature, High Temperature

- DISPLAY** 2 lines by 16 characters  
Alphanumeric LCD with back light  
Alarm Indication LED -- indicates active alarm

- KEYPAD** 5 tactile key switches  
Scroll up, Scroll down, Select/Change, Exit, Alarm Silence/Clear

### ALARM INDICATORS

- LCD DISPLAY** Cause of Alarming
- BUZZER** piezo-electric, 90db @10ft, silenceable
- FRONT PANEL LED LIGHT** Flashing red light when Control is in alarm
- STROBE LIGHT (Optional)** Mounted on top of the housing, activates during any alarm condition.

### LISTINGS

ETL, Conforms to UL Std. 61010-1  
Certified to CAN/CSA, C22.2 Std. No. 61010-1

**WARRANTY** 15 Month Limited

**Real Time Clock with power loss backup** - The built-in electronic time clock is used for time-stamp of alarm logs. The time clock has ninety nine year calendar for automatic day light saving change over. The clock maintains its setting for up to 5 days without power.

**Software Access "Passcode"** - The WIM2 is passcode protected. No operating parameters can be changed without unlocking the Control. User passcode can be changed by supervisor.

**Enclosure** - The WIM2 comes in a metal, NEMA 1 enclosure suitable for mounting on the wall outside of the Walk-in Cooler.

**Four Key Menu System** - Consistent menu structure using only four keys. Operating parameters can be accessed and changed easily.

**Alarm History logs** - Last ten alarm logs are maintained for reviewing at any time. Each log has its own time stamp along with alarm reading.

**Temperature Alarming** - The WIM2 can monitor the temperature in a single zone (room). The WIM2 will activate its audible visual alarm and the System Alarm Relays based

upon the following alarm conditions:

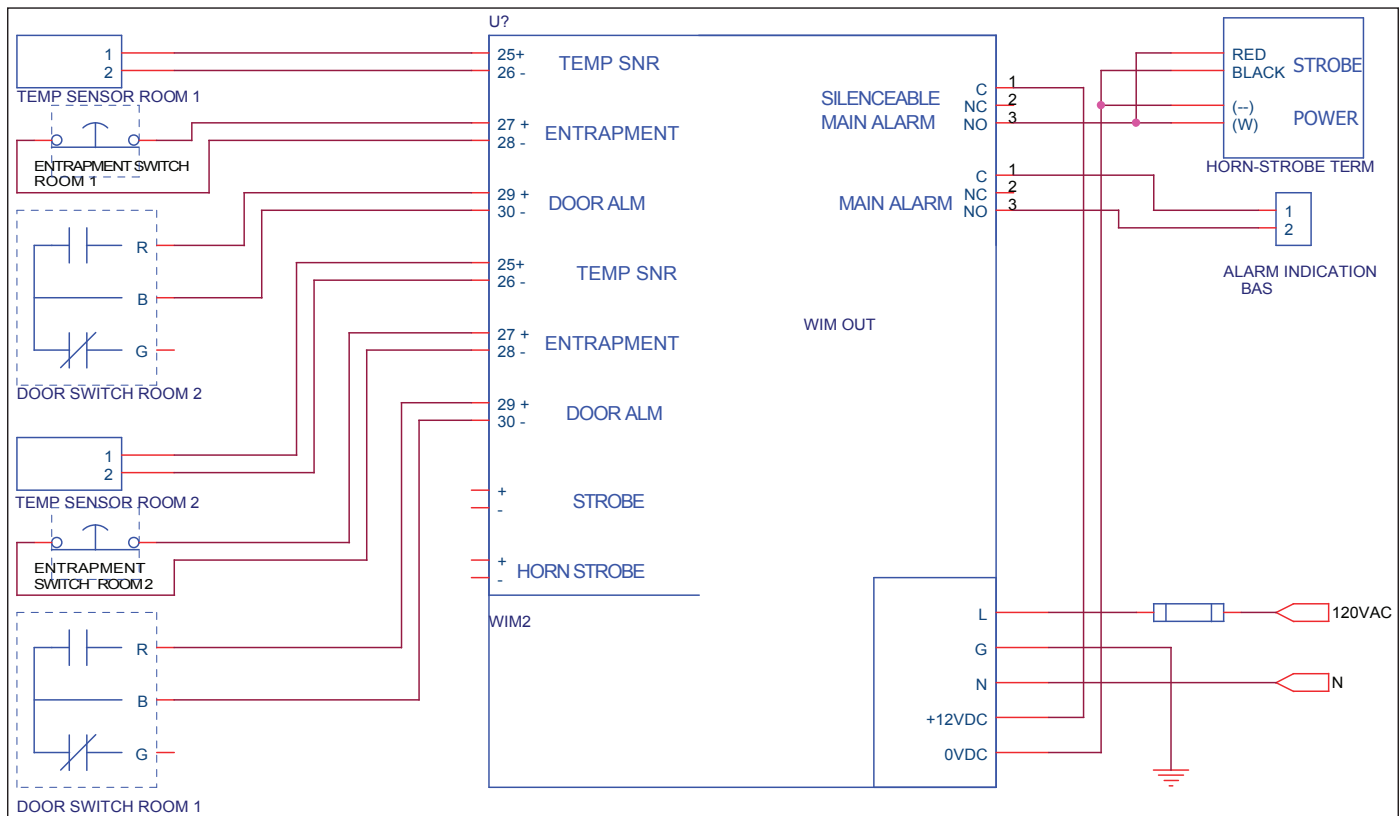
**High Alarm** . The room temperature must exceed the High Alarm Limit for a time period equal to or longer than the High Temp Alarm delay.

**Low Alarm** . The room temperature must be below the Low Alarm Limit for a time period equal to or longer than the Low Temp Alarm delay.

**Door Ajar Alarming** - The WIM2 will activate its audible visual alarm and the System Alarm Relays if the monitored door is opened (Door Switch is closed) for more than the Door Open Alarm Delay time. When the door is opened, the display shows the duration of the door opening in hours and minutes. To monitor more than one door, connect all door switches in parallel. (**Genesis #28-0117-00**)

**Entrapment Alarming** - The WIM2 will activate its audible visual alarm and the System Alarm Relays if a normally closed Entrapment Push Button is momentarily pushed to open. To monitor more than one Entrapment Push Buttons, connect all the buttons in series. This alarm is always active. To disable this alarm, short the two input connectors together with a piece of bare copper wire. (**Genesis #28-0123-00**)

## WIM2 TYPICAL WIRING DIAGRAM



# GENESIS INTERNATIONAL, INC.

1040 Fox Chase Industrial Dr  
 Arnold, MO 63010  
 Email: mail@genesis-international.com

Tel: 636-282-0011  
 Fax: 636-282-2722  
 Web: www.genesis-international.com