



# GENESIS INTERNATIONAL, INC.

## *SHERLOCK* STROBE ALARM LIGHT



### OVERVIEW

Makes any alarm visible during an emergency. Can be mounted outside on roof or wall to alert police or others of trouble. Can be connected to most security or energy management systems. High-powered "U" shaped Xenon bulb flash is visible for miles. High-impact plastic case is moisture and corrosion-resistant. Flash rate is approx. 60 to 100 flashes per minute, depending upon the operating voltage. Operates on 5 to 14VDC,. Easy installation and mounting. 12 inch power cord leads. Includes choice of Blue, Red, Clear and amber lens.

### OPERATION

When energized between 6 to 12VDC, the Strobe Light will flash at between 60 to 90 flashes per minute. The higher the supply voltage, the flash rate will be correspondingly higher.

### SPECIFICATIONS

**Construction:** Raintight

**Illumination:** 100,000 Candle Power

**Weight:** 150gm

**Size:** 4in X 3in

**Power Supply:** 6VDC, 120mA +-20%  
12VDC, 200mA +-20%

#### Input Connections:

Red / Positive  
Black / Ground

**Flash Rate:** Approx. 60 to 90 flashes/min  
90 fpm @ 12VDC

#### Electrical Protection

Reverse Polarity protected

**Cable Length:** 18 Gauge 12 inches

**Lens:** High impact resistant, acrylic  
Blue Part # 87-0006  
Red Part # 87-0053  
Amber Part # 87-0058  
Clear Part # 87-0112

**Base:** High-impact black ABS.

**Temperature:** -22 F TO 140 F  
(-30 C to 60 C)

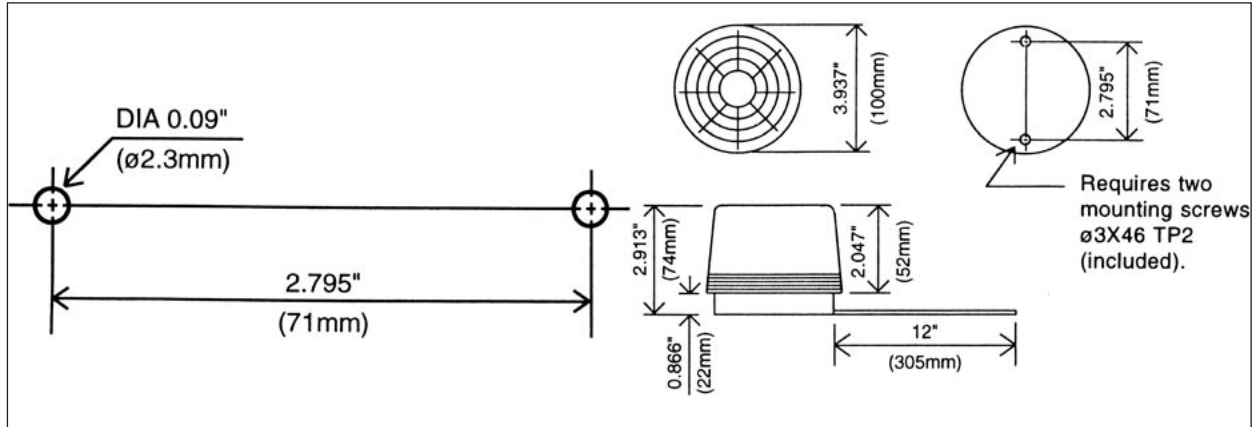
### WARNING

The strobe light circuitry produces a high voltage to operate the Xenon bulb. Do not touch the electrodes withing the bulb will the strobe light is energized. DO NOT touch the Xenon bulb with bare fingers. The bulb may cease to work.

## INSTALLATION

Use enclosed drill template to locate holes on mounting surface. Use #4-40 screws to mount the strobe light on any surface. Red wire is Positive for V+ DC, Black wire Ground is for 0V or negative supply. The Strobe Light is reverse polarity protected and will not work if the supply is reversed.

### DRILL TEMPLATE AND DIMENSIONS



### Replacement Lens:

Blue	Part # 87-0071
Red	Part # 87-0061
Amber	Part # 87-0070
Clear	Part # 87-0098



# GENESIS INTERNATIONAL, INC.

1040 FOX CHASE INDUSTRIAL DRIVE  
ARNOLD, MISSOURI 63010

PHONE: (636) 282-0011  
FAX: (636) 282-2722

WEBSITE:  
[WWW.GENESIS-INTERNATIONAL.COM](http://WWW.GENESIS-INTERNATIONAL.COM)

EMAIL:  
[MAIL@GENESIS-INTERNATIONAL.COM](mailto:MAIL@GENESIS-INTERNATIONAL.COM)