



GENESIS INTERNATIONAL, INC.

STACKED BEACONS WITH HORN BASE (120 VAC MODEL)



**SHERLOCK STACKABLE
BEACON WITH HORN**



Height - 11 3/8" (289 mm)
Weight - 4 lbs (1.8 kg)

DIMENSIONS

GENESIS INTERNATIONAL'S STACKABLE BEACON is a unique signaling appliance which contains two strobe modules, blue, red or amber, stacked onto a single base unit as illustrated. The two modules can be stacked onto the base in any position and can be used with either our 2-series or 4-series Sherlock Refrigerant Monitoring system.

The AdaptaLight base unit contains a mini pulsating horn rated at 85 dB at 10 feet (3.05 m). The horn can operate as a third independent signal or with any one of the stacked modules. The base unit has a screw-type terminal strip for positive hard wiring. Each is positively connected to the one below it by a solid through-bolt for mechanical integrity.

ENCLOSURE RATING Indoor/Outdoor NEMA 3R
HEIGHT 11.38 Inches (289 mm)
WEIGHT 4 lbs (1.8 Kg)

POWER INPUT
HORN 120 VAC 50/60 Hz,
0.05 Amps max.
STROBE 120 VAC 50/60 Hz,
0.12 Amps (Each Strobe)

SOUND OUTPUT 85 dB @ 10ft (3.05 m)
INTENSITY 300,000 Peak Candle Power
FLASH RATE 65 Flashes/Min
LENS COLORS Red, Blue, or Amber
(Must be different colors)

AGENCY APPROVALS UL 1638 Listed for
indoor & outdoor use,
CSA Certified

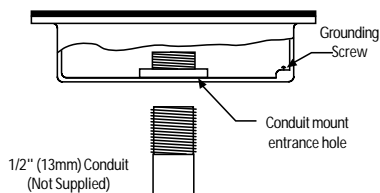
INSTALLATION

- (1) Direct Surface (indoor installation only)
- (2) Mounting on a 4" octagon box (indoor installation only)
- (3) Mounting on 1/2" NPT conduit (indoor or outdoor installation)

MOUNTING THE BASE UNIT (Outdoor applications mount lens up)

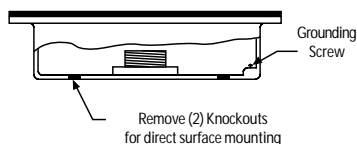
CAUTION: Never mount the stackable horn/strobe horizontally.

Pipe Mounting Method



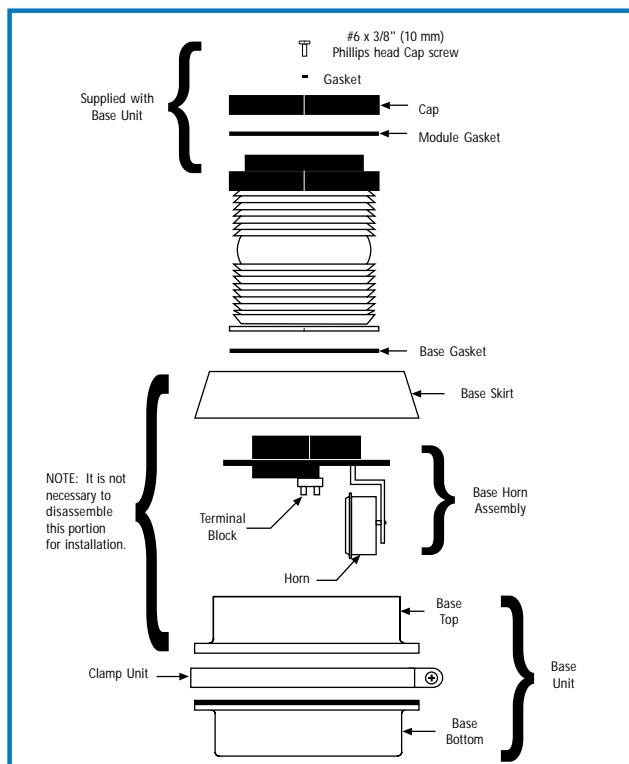
1/2" (13mm) Conduit
(Not Supplied)

Direct Surface Mounting Method (with or without 4" octagonal box)

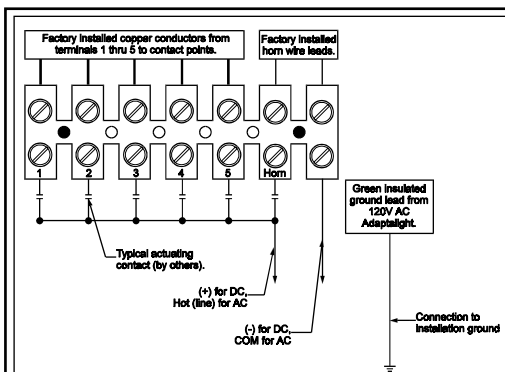


#10 Wood Screws
(Not Supplied)

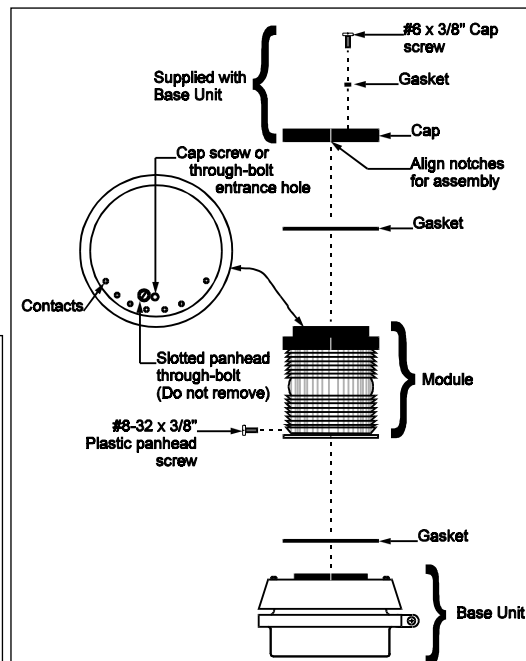
BASE UNIT ASSEMBLY



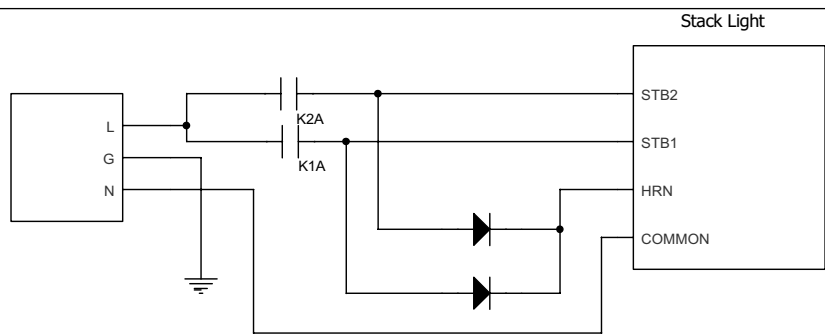
WIRING AND ASSEMBLY DIAGRAM



Wiring to the terminal block located inside the base unit.



Stacking the modules onto the base unit



- 1) A DIODE MUST BE WIRED IN SERIES WITH THE HORN AND THE CONTACTS. CAN USE SILENCEABLE B RELAYS INSTEAD.
- 2) INDIVIDUAL LIGHTS AND THE HORN WILL ACTIVATE WHEN AN ALARM OCCURS



GENESIS INTERNATIONAL, INC.

1040 FOX CHASE INDUSTRIAL DRIVE
ARNOLD, MISSOURI 63010

PHONE: (636) 282-0011
FAX: (636) 282-2722

WEBSITE:
WWW.GENESIS-INTERNATIONAL.COM

EMAIL:
MAIL@GENESIS-INTERNATIONAL.COM