



GENESIS INTERNATIONAL, INC.

STACKED BEACONS WITH HORN BASE (12 VDC MODEL)



**SHERLOCK STACKABLE
BEACON WITH HORN**

DIMENSIONS



Height - 11 3/8" (289 mm)
Weight - 4 lbs (1.8 kg)

GENESIS INTERNATIONAL'S STACKABLE BEACON is a unique signaling appliance which contains two strobe modules, blue, red or amber in any combination, stacked onto a single base unit as illustrated. The two modules can be stacked onto the base in any position and can be used with either our 2-series or 4-series Sherlock Refrigerant Monitoring system.

The AdaptaLight base unit contains a mini pulsating horn rated at 85 dB at 10 feet (3.05 m). The horn can operate as a third independent signal or with any one of the stacked modules. The base unit has a screw-type terminal strip for positive hard wiring. Each is positively connected to the one below it by a solid through-bolt for mechanical integrity.

ENCLOSURE RATING Indoor/Outdoor NEMA 3R
HEIGHT 11 3/8 Inch (289 mm)
WEIGHT 4 lbs (1.8 Kg)

POWER INPUT
HORN 12 V DC, 0.05 Amps max.
STROBE 12 V DC, 0.5 Amps max
(Each Strobe)

SOUND OUTPUT INTENSITY 85 dB at 10 ft. (3.05 m)
300,000 Peak Candle Power

FLASH RATE 65 Flashes/Min

LENS COLORS Red, Blue, or Amber
(Must be different colors)

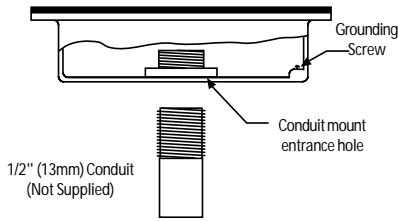
AGENCY APPROVALS UL 1638 Listed for indoor
& outdoor use
CSA Certified 22.2 No. 205

INSTALLATION
(1) Direct Surface
(indoor installation only)
(2) Mounting on a 4" octagon box
(indoor installation only)
(3) Mounting on 1/2" NPT conduit
(indoor or outdoor installation)

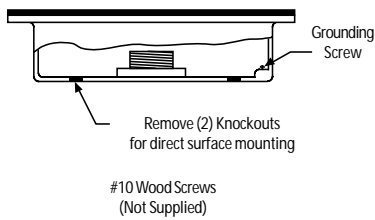
MOUNTING THE BASE UNIT (Outdoor applications mount lens up)

CAUTION: Never mount the stackable horn/strobe horizontally.

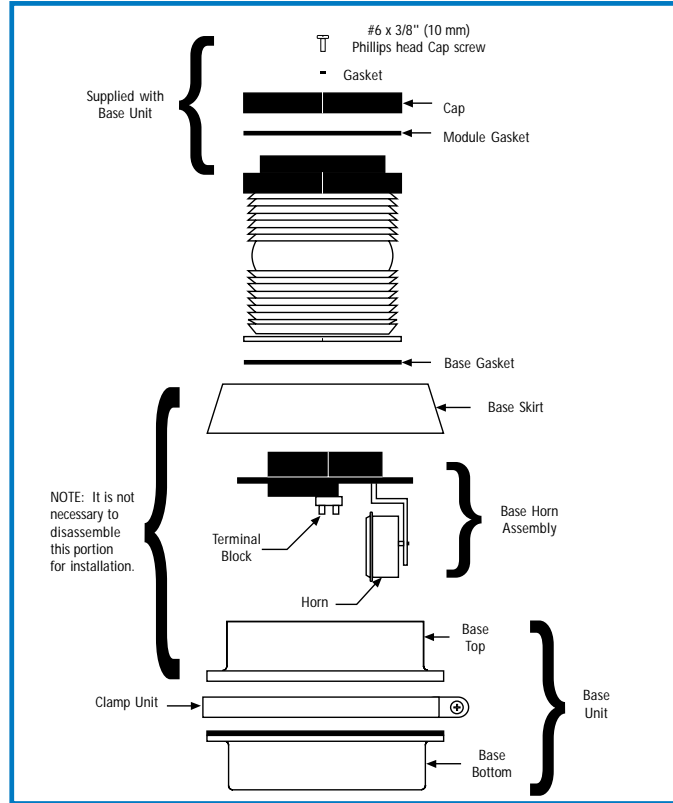
Pipe Mounting Method



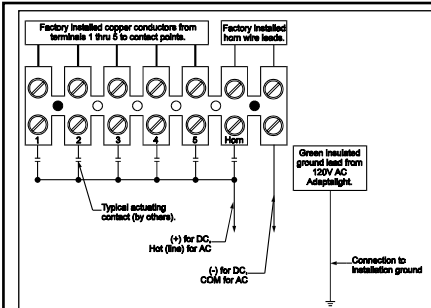
Direct Surface Mounting Method (with or without 4" octagonal box)



BASE UNIT ASSEMBLY

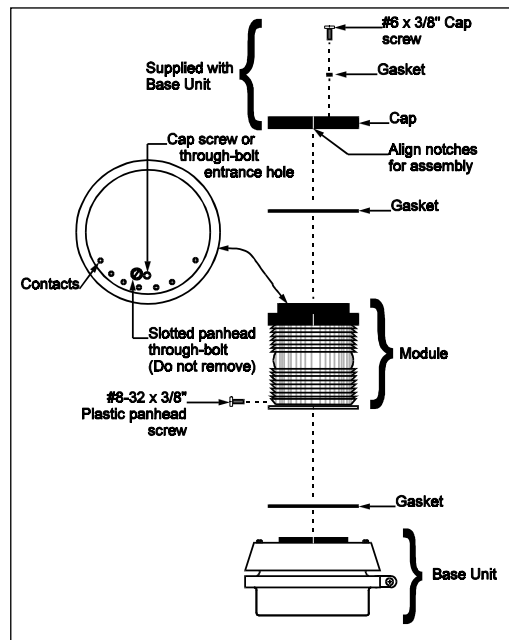


WIRING AND ASSEMBLY DIAGRAM

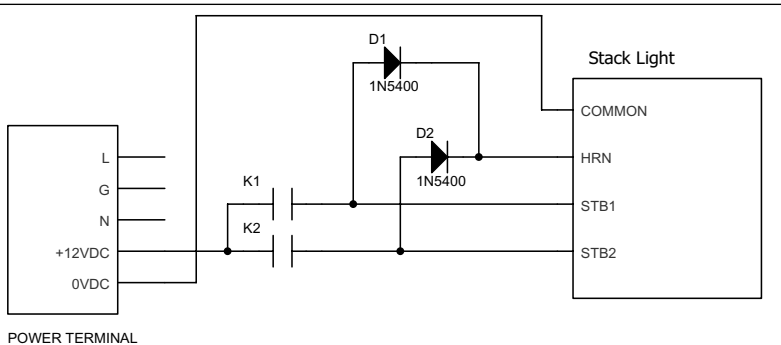


Wiring to the terminal block located inside the base of the unit.

The 12 VDC Return corresponds to the "(-) for DC" on the terminal block in the diagram to the left.



Stacking the modules onto the base unit



- 1) A 1N5400 DIODE MUST BE WIRED IN SERIES WITH THE HORN AND THE CONTACTS
- 2) INDIVIDUAL LIGHTS AND THE HORN WILL ACTIVATE WHEN AN ALARM OCCURS



GENESIS INTERNATIONAL, INC.

1040 FOX CHASE INDUSTRIAL DRIVE
ARNOLD, MISSOURI 63010

PHONE: (636) 282-0011
FAX: (636) 282-2722

WEBSITE:
WWW.GENESIS-INTERNATIONAL.COM

EMAIL:
MAIL@GENESIS-INTERNATIONAL.COM