

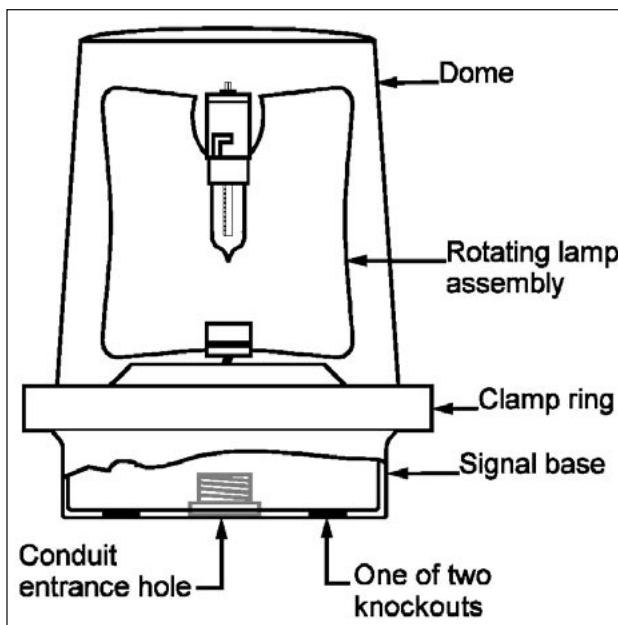


GENESIS INTERNATIONAL, INC.

Rotating Beacon *Weatherproof*



ROTATING BEACON



OVERVIEW

Rotating signal designed to provide maximum brilliance and long term durability with minimum maintenance. The polycarbonate dome allows for easy cleaning. For direct mounting applications, unit is supplied complete with gasket and rubber expansion plugs. For weatherproof installation unit must be mounted vertically with the dome facing up. May be corner mounted or wall mounted. Designed to attract attention or indicate equipment malfunctions in noisy areas. Used in security systems to visually show indication of an intrusion. Also used in factory and distribution facilities to alert workers of oncoming fork truck traffic.

SPECIFICATIONS

LAMP RATING 265 Lumens

REVOLUTION RATE 75 rpm

ELECTRICAL RATING 120V 50/60 Hz
0.35 Amps

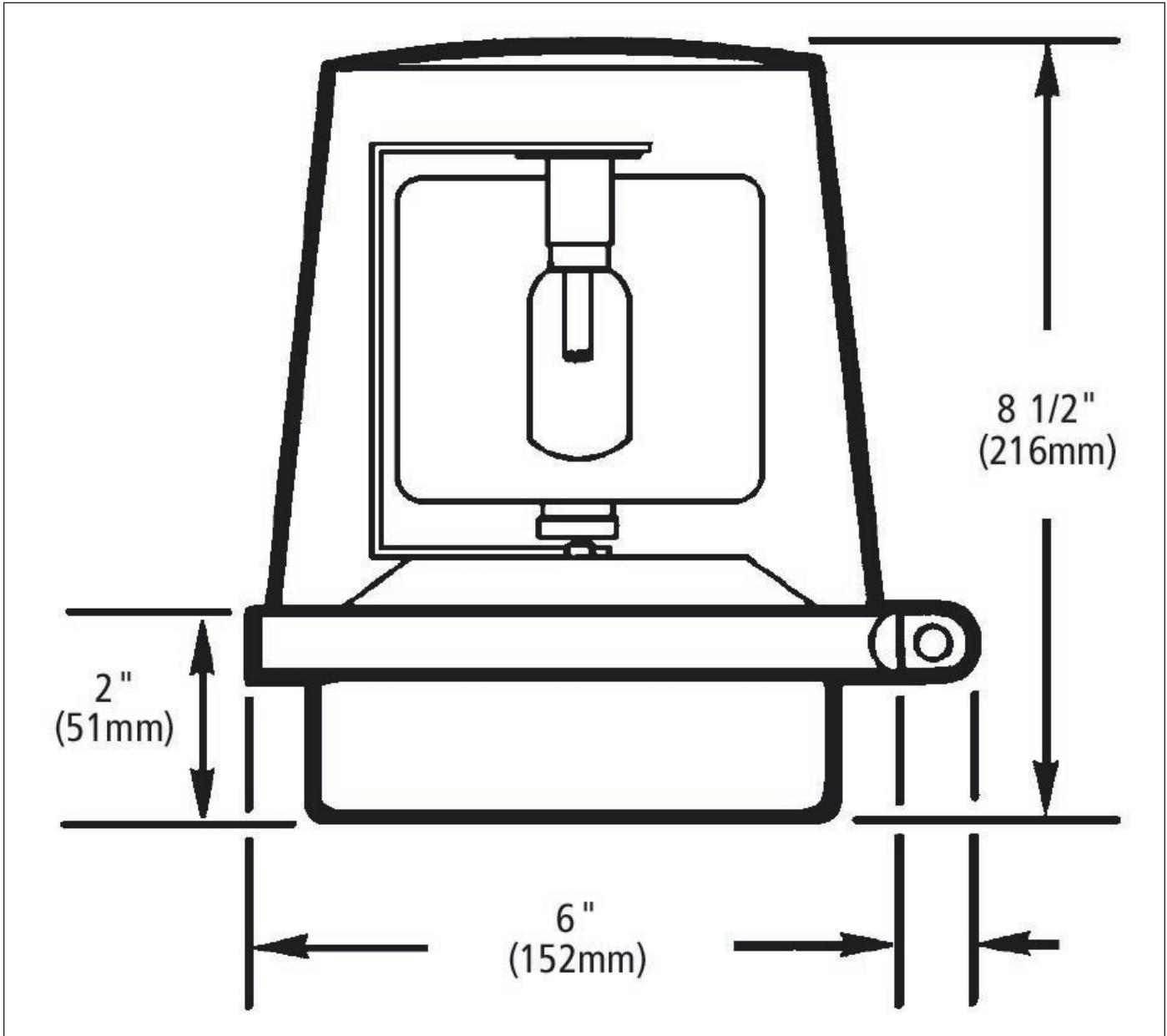
LENS COLOR Amber Pt# 87-0041
Red Pt# 87-0059
Other colors also available.

AGENCY APPROVALS UL 1638 Listed
CSA Certified C22.2
No. 205

FEATURES

- Weatherproof
- Light intensifying reflector
- 75 revolutions per minute
- Bayonet lamp socket for easy replacement
- Cast base can be utilized as junction box

DIMENSIONS



GENESIS INTERNATIONAL, INC.

1040 FOX CHASE INDUSTRIAL DRIVE
ARNOLD, MISSOURI 63010

PHONE: (636) 282-0011
FAX: (636) 282-2722

WEBSITE:
WWW.GENESIS-INTERNATIONAL.COM

EMAIL:
MAIL@GENESIS-INTERNATIONAL.COM