



GENESIS INTERNATIONAL, INC.

SHERLOCK

FAIL-SAFE REMOTE ALARM AND STROBE WITH PLUG IN TRANSFORMER

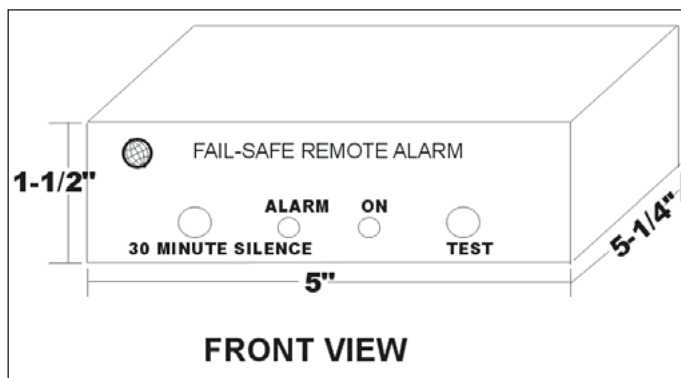


Kit Includes:
Remote Alarm and Strobe
9V DC, 500 mA Power Supply
(12 V DC from Sherlock Monitor can also be used)

OVERVIEW

The SHERLOCK FAIL SAFE REMOTE ALARM WITH STROBE will alert the user to an alarm condition. It is activated by opening up a self looping dry contact signal. The unit has a built in green "Pilot" light that is always lit to let the user know the REMOTE ALARM WITH STROBE is working properly. The remote alarm has a built-in red LED and a 90 db buzzer to signal an alarm condition. The unit is equipped with a test button to insure the REMOTE ALARM WITH STROBE is working properly and also a 30 minute alarm silence button. After 30 minutes the buzzer will be reactivated if the alarm condition still exists. Ideal for office use. The REMOTE ALARM WITH STROBE easily connects to any SHERLOCK REFRIGERANT Monitor or any other normally closed alarm contact.

The REMOTE ALARM WITH STROBE may be placed up to 5000 feet from the signal source using 18 Gauge twisted pair signal wire.



DIMENSIONS 5 1/8" x 5 3/8" x 5"

ENVIRONMENT NEMA 1 Indoor
10 to 120°F (-10 to 50° C)

POWER INPUT 9 VDC, 500mA
wall mounted transformer

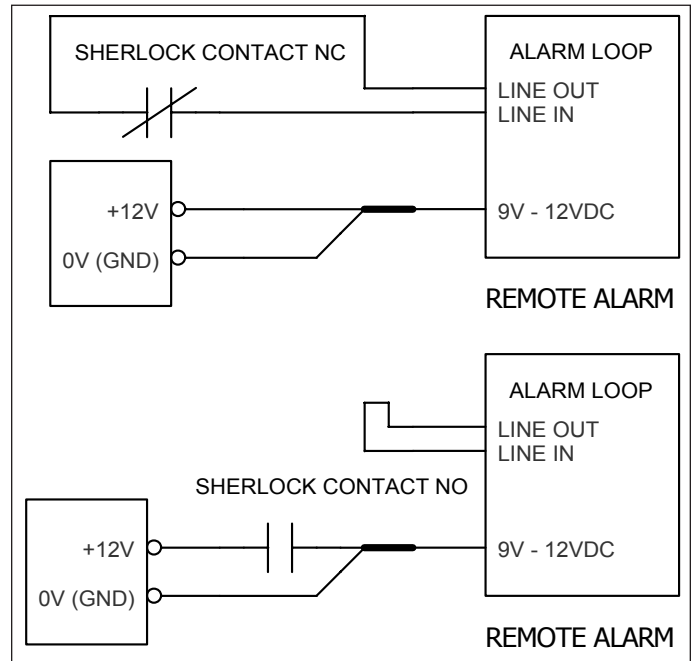
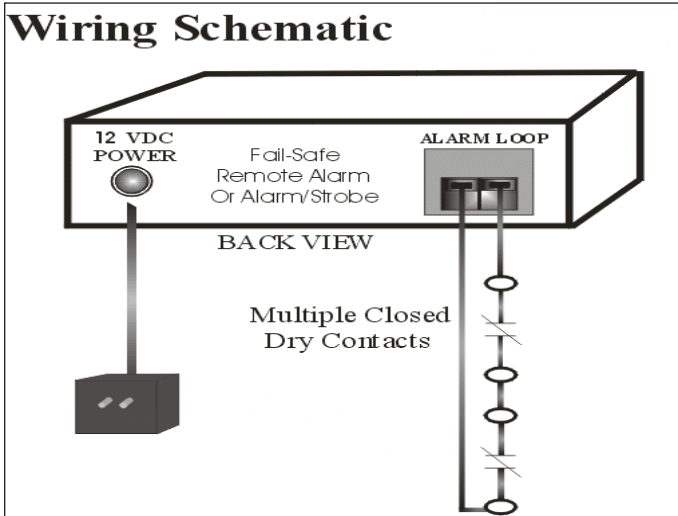
SOUND OUTPUT 90db at 2 ft

FLASHING RATE 60 to 100 flashes/Min

BRIGHTNESS 60,000 Candle Power

LENS High Impact resistant, Acrylic
Blue Part # 88-0109
Red Part # 88-0532
Amber Part # 88-0535

REMOTE ALARM WIRING DIAGRAM



TROUBLE SHOOTING GUIDE:

THE ALARM POWER LIGHT DOES NOT LIGHT

Check the power plug for 9V DC - 12V DC power and verify that the transformer has power. If the transformer has failed, Call Genesis Customer Service.

ALWAYS IN ALARM

Connect a wire across the input plug, the alarm should silence. If the alarm is silenced, the alarming circuit is open. If it does not silence when the circuit is closed, Call Genesis Customer Service.

WILL NOT ALARM

Disconnect the input plug, the alarm should activate because the alarm circuit is open. If the alarm does not activate, Call Genesis Customer Service.



GENESIS INTERNATIONAL, INC.

1040 FOX CHASE INDUSTRIAL DRIVE
ARNOLD, MISSOURI 63010

PHONE: (636) 282-0011
FAX: (636) 282-2722

WEBSITE:
WWW.GENESIS-INTERNATIONAL.COM

EMAIL:
MAIL@GENESIS-INTERNATIONAL.COM