



GENESIS INTERNATIONAL, INC.

SHERLOCK

MANUAL PULL STATION



GENESIS PULL STATION

All Pull Stations are supplied with a matching back box, one scored acrylic break glass rod and one key.

OVERVIEW

The GENESIS PULL STATION is made of high quality die-cast metal and comes with terminal strip connections for easy installation. The Normally Open / Normally Closed (N.O./N.C.) contact is rated for 1 amp, 30 VDC. The contacts are gold plated to avoid the risk of corrosion. The PULL STATION has been tested by UL for compliance to the latest requirements of the Americans with Disabilities Act (ADA). The GENESIS station comes standard as a single-action device with a key reset, terminal connectors and DPST gold contacts. Keyed reset models are available with interchangeable keys. All models mount on a standard single interior surface metal gang back box included.

SPECIFICATIONS

TEMPERATURE -40° to 150°F (-40° to 66°C),
90% relative humidity @ 100°F

SWITCH RATING 1 Amp @ 30 VDC
1 Amp @ 125 VAC

CONTACT OPERATION Normally Open (N.O.)/
Normally Closed (N.C.)

DIMENSIONS Inches (mm)

Pull Station 4.75H x 3.25W x 1.1D
(121H x 83W x 28D)

Standard Backbox NEMA 1 (sheet metal)
4.75H x 3.25W x 2.25D
(121H x 83W x 57D)

Optional Backbox NEMA 4 (Die Cast Metal)
4.75H x 3.25W x 2.25D
(121H x 83W x 57D)

COLOR Blue or Yellow Part with white
pull bar with raised red letters
and matching back box.

OPTIONAL Red and green for special
applications such as FIRE,
HAZMAT, DOOR RELEASE
TORNADO, MEDICAL, etc.

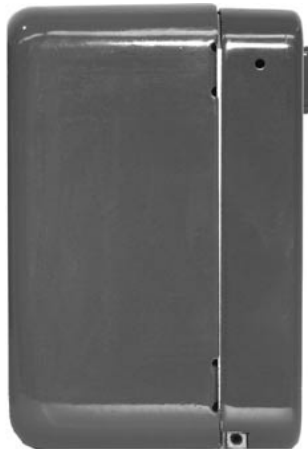
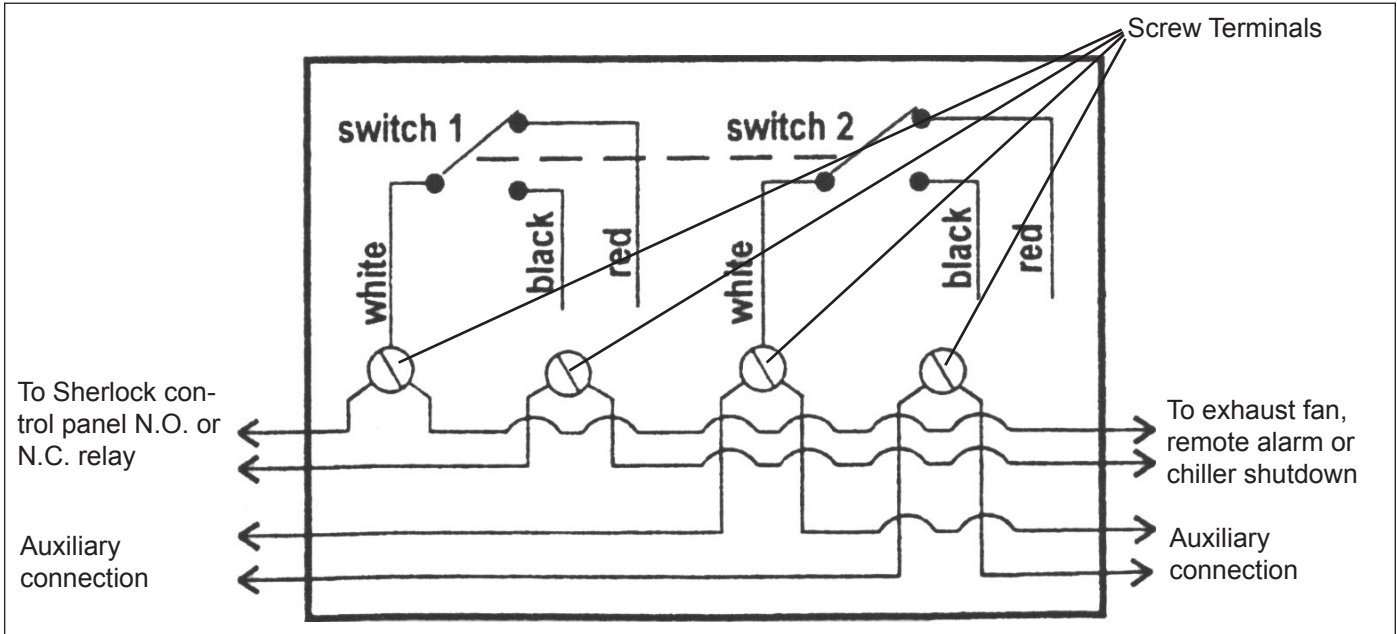
SPECIAL HAZARD CLASSIFICATIONS

Class I, Division I, Groups B, C and D
Class II, Division I, Groups E, F and G
Class III (FM only)

OPERATION

The GENESIS PULL STATION is operated by pulling the handle on the front of the station as far down as it will go breaking a glass rod, at which point the handle locks into place and is easily visible from up to 50 feet. The handle is reset by opening the station with the supplied key, placing the handle in the normal upright position and relocking the station and replacing the breakglass rod.

INTERNAL WIRING FOR PULL SWITCH



Break Glass Pull Station, NEMA 1
 Blue with Standard Back Box
 Yellow with Standard Back Box

Part#
 88-0268
 88-0271

Break Glass Pull Station, NEMA 4
 Blue with NEMA 4 Back Box
 Yellow with NEMA 4 Back Box

Part#
 88-0393
 88-0394



GENESIS INTERNATIONAL, INC.

1040 FOX CHASE INDUSTRIAL DRIVE
 ARNOLD, MISSOURI 63010

PHONE: (636) 282-0011
 FAX: (636) 282-2722

WEBSITE:
WWW.GENESIS-INTERNATIONAL.COM

EMAIL:
MAIL@GENESIS-INTERNATIONAL.COM