



GENESIS INTERNATIONAL, INC.

Panel Mount Vibrating Horn

NEMA Type 4X



103 DB HORN
Part #87-0042

FEATURES

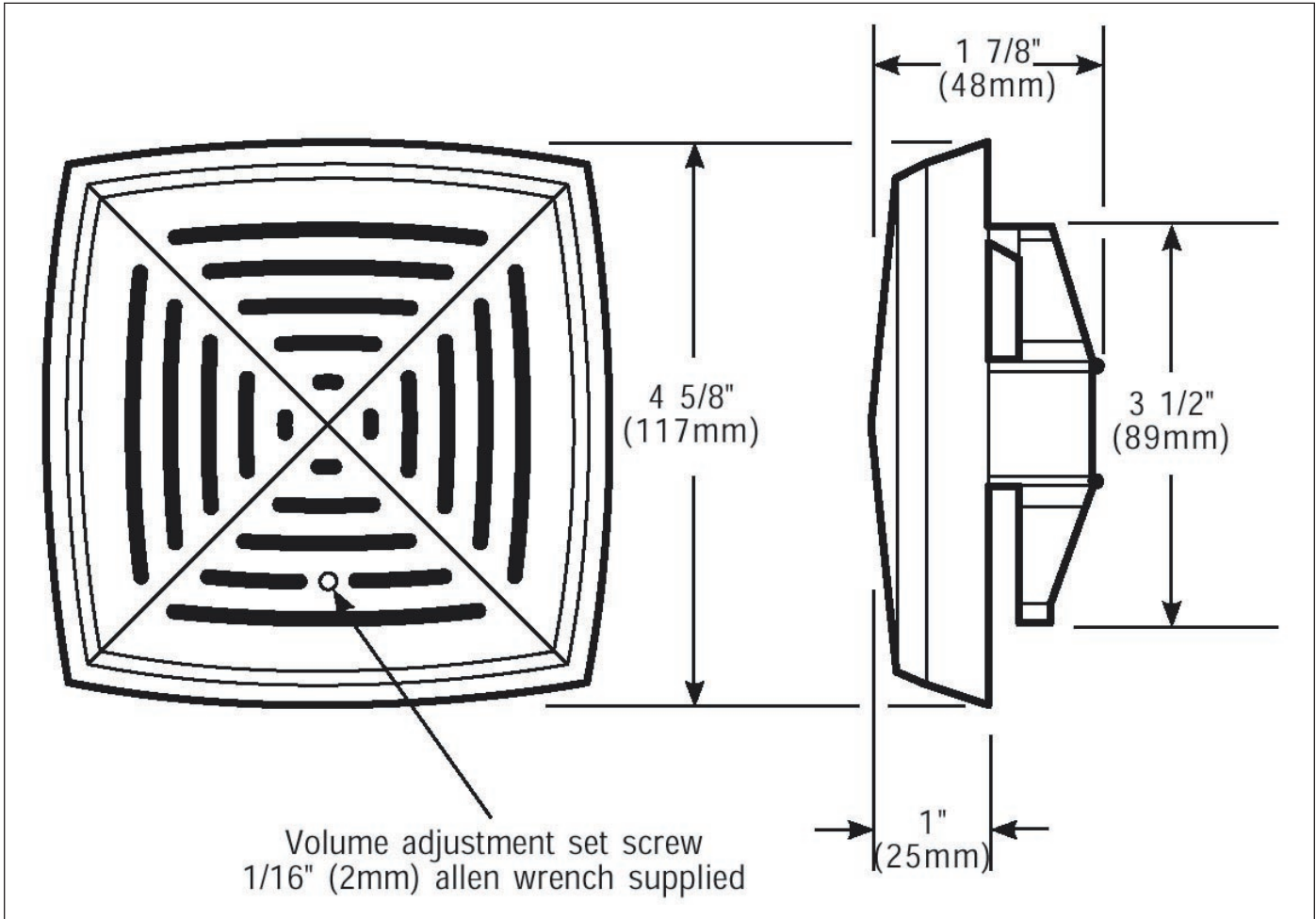
- PLC compatible models
- Corrosion resistant finish
- Volume adjustable
- Completely assembled
- NEMA Type 4X rated
- Heavy duty die-cast housing

The GENESIS HORN is a low-current, high decibel panel mount vibrating horns for heavy-duty use. Supplied complete with gasket and UL listed to NEMA 4X enclosure requirements. Designed for semi-flush panel mounting, using supplied mounting template, or installation on a 4" (102mm) square box. For NEMA 4X installation, mount to a NEMA 4X enclosure having a flat, smooth surface using supplied 1/8" (3mm) gasket in accordance with the installation instructions provided with the unit. Applications include use in panel boards and switchboards wher-ever a distinctive, urgent signal is required for timing, general alarm & warning.

SPECIFICATIONS

DIMENSIONS	4.63 x 4.63 x 1.58
Inches (mm)	(117 x 117 x 48)
OPERATING RANGE	-20% to +10% of nominal voltage
OUTPUT	Adjustable from 78 to 103 dB
INPUT	
<i>VOLTS</i>	120 VAC
<i>CURRENT</i>	0.13 Amps
DC COIL RES	150 Ohms
SOUND OUTPUT	103 DB @ 10FT
AGENCY APPROVALS	UL Listed to NEMA 4X Enclosure Requirements

DIMENSIONS



GENESIS INTERNATIONAL, INC.

1040 FOX CHASE INDUSTRIAL DRIVE
ARNOLD, MISSOURI 63010

PHONE: (636) 282-0011
FAX: (636) 282-2722

WEBSITE:
WWW.GENESIS-INTERNATIONAL.COM

EMAIL:
MAIL@GENESIS-INTERNATIONAL.COM