



# GENESIS INTERNATIONAL, INC.

## 1M CANDLE POWER DOUBLE FLASH STROBE



**PART NUMBER 87-0113  
RED STARFIRE® STROBE**

### OUR BRIGHTEST MEDIUM DUTY STROBE LIGHT

- Available in 12-24VDC, 120VAC and 240VAC
- Five dome colors
- 10,000 hour strobe tube
- Single or double flash strobe
- 1/2 -inch pipe mount
- UL and cUL Listed, CSA Certified for indoor/  
outdoor use
- Type 3R, IP45 enclosure

Genesis International's Starfire® strobe warning lights are available in double-flash models. Through precise timing of the strobe flash, the double flash unit produces 1,200 effective candlepower.

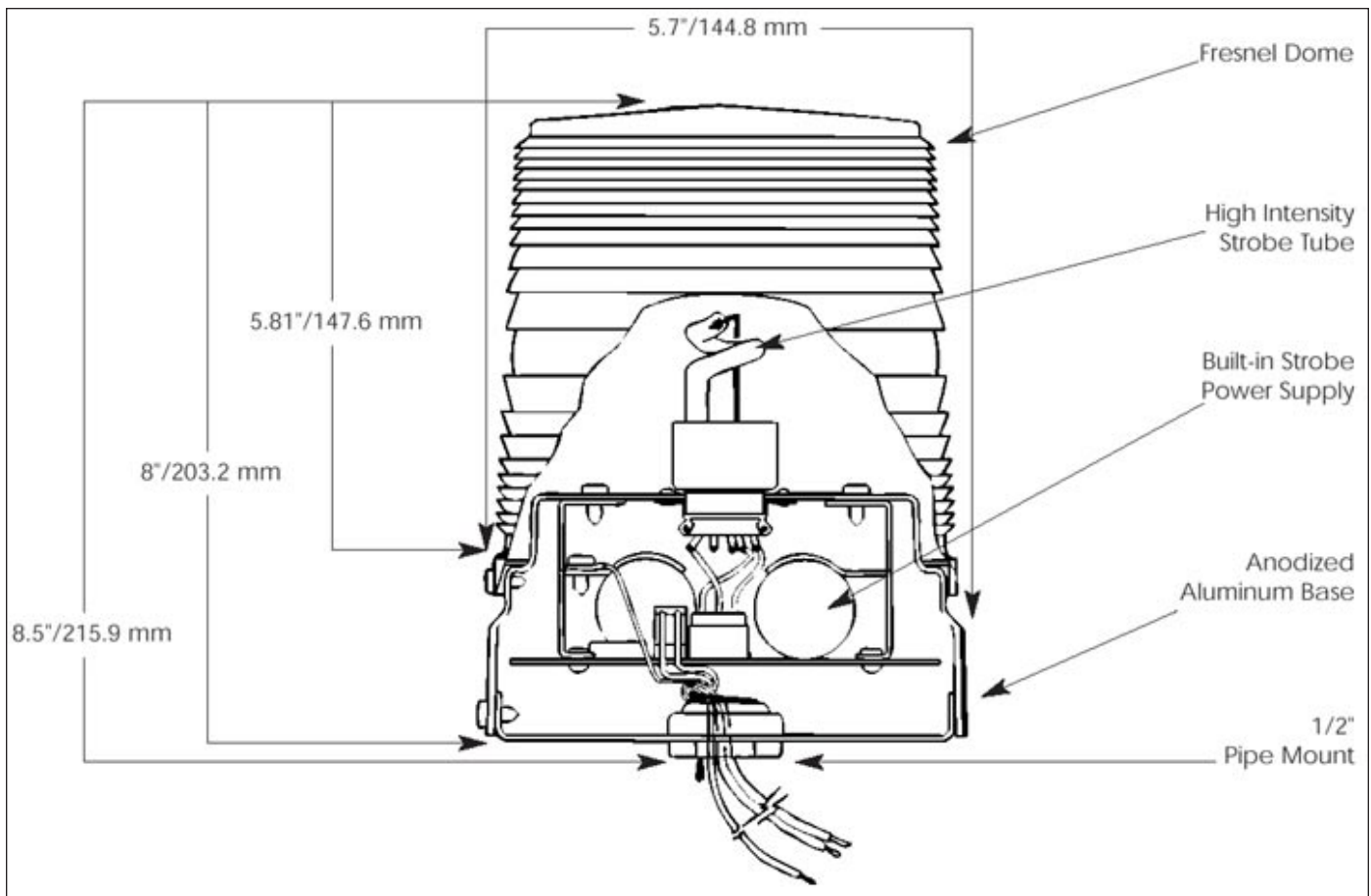
The Starfire is, 120VAC (50/60Hz). The unit is less than nine inches high and six inches in diameter, but powerfully effective.

Starfire strobe warning lights contain their own strobe power supply in the base of the light. The strobe flash tube is mounted in an eight-pin octal socket base. The fresnel dome stands up to impact and abuse and is available in amber, blue, clear, green and red. The base of the light is made of corrosion-resistant anodized aluminum. Each Starfire model comes with a standard 1 / 2 -inch pipe mount. An optional surface mount can be ordered.

Because of its convenient size and intense light output, the Starfire can be used for multiple applications. Excellent for in plant use, the strobe can warn of hazardous conditions, mark dangerous areas (either permanently or temporarily) and mounts on lift trucks, cranes and other moving devices. These powerful strobes can be used on emergency, utility, maintenance or any other vehicle requiring emergency warning.

### SPECIFICATIONS

<b>NET WEIGHT:</b>	2.0 lbs. (1.0 kg)
<b>SHIPPING WEIGHT:</b>	3.4 lbs. (1.5 kg)
<b>HEIGHT:</b>	8.5 x 5.7 (216 x 145)
inches (mm)	
<b>VOLTAGE</b>	120V AC
<b>OPERATING CURRENT</b>	0.60 Amps
<b>FLASH RATE</b>	80 Flashes Per Minute
<b>CANDLEPOWER PEAK</b>	1,000,000
<b>LAMP LIFE*</b>	10,000 Hours
<b>OPERATING TEMPERATURE</b>	-31°F to 150°F (-35°C to 66°C)



# GENESIS INTERNATIONAL, INC.

1040 FOX CHASE INDUSTRIAL DRIVE  
ARNOLD, MISSOURI 63010

PHONE: (636) 282-0011  
FAX: (636) 282-2722

WEBSITE:  
[WWW.GENESIS-INTERNATIONAL.COM](http://WWW.GENESIS-INTERNATIONAL.COM)

EMAIL:  
[MAIL@GENESIS-INTERNATIONAL.COM](mailto:MAIL@GENESIS-INTERNATIONAL.COM)